

WNS Split Condensing Steam Boiler

Product Details [PDF](#)





120,000m²
Production Base



6,000m²
R&D Center



20,000 Tons
Annual Capacity



6 Automatic
Production Line



108
National Patent



60,000
Total User Number

Company Profile

Fangkuai Boiler Co., Ltd. was established on 8th Jan. 1998. With the registered capital of over 100 million, Fangkuai Boiler group has grown into a high and new tech enterprise, integrating researching & developing, manufacturing and marketing of clean fuel boiler and clean combustion technology.

Fangkuai is a Licensed Lever A boiler manufacture and Level D1/D2 Pressure Vessel manufacture company, with the certificates of ISO9001 Quality Control System and International Certification Network (IQNET). With a 120,000 square meter production base, we become one of the few boiler manufacturers who have digital production capacity in China.

We also possess an national level boiler laboratory which can simulate all kinds of working conditions.

Product Introduction

Rated Evaporation: 1-20 t/h

Rated thermal efficiency: 97-100%

Applicable fuel: natural gas, city gas, diesel, heavy oil, etc.

Applications: food, construction, textiles, hospitals, etc.

Classic structure with three pass, self-designed and developed PLC automatic intelligent control system. Burners are fixed on the front wall. Fire happens then goes after three pass ways and go out into chimney tunnel.

Features:

Low pollution

Easy operation

Classic structure

High efficiency



Product Drawing





Product Features

Low pollution

Benefiting from the efficiency of the boiler plays to its limit, this boiler has a comprehensive function of pollution solution. That leads a substantial reduction in emissions of harmful substances such as NOx.

Easy operation

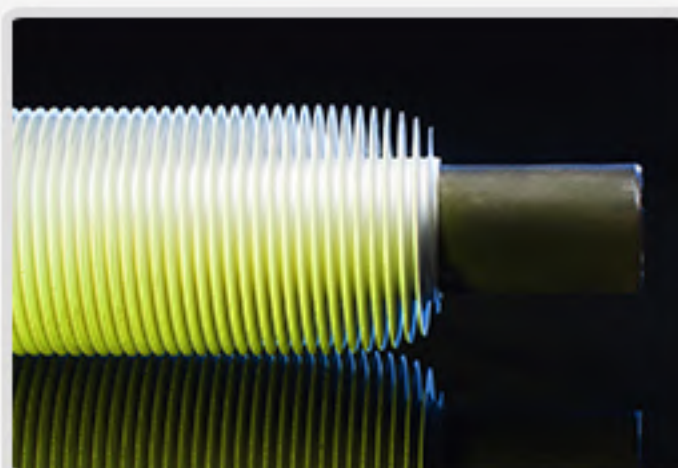
We develop different controller system for each piece of our steam boiler and we make this effort to ensure the boiler is easy to operate and control. For safety, we make safe door and various devices to detect.

High efficiency

This steam boiler has a waste heat using method and that makes the thermal efficiency can be as high as 95-96%. The product exhaust temperature can be reduced to 95 °C.

Classic structure

The classical three pass wet back structure is a stable structure for steam boiler for many years. Three pass smoke tunnel makes the smoke quickly and fully cooled before goes into the chimney.



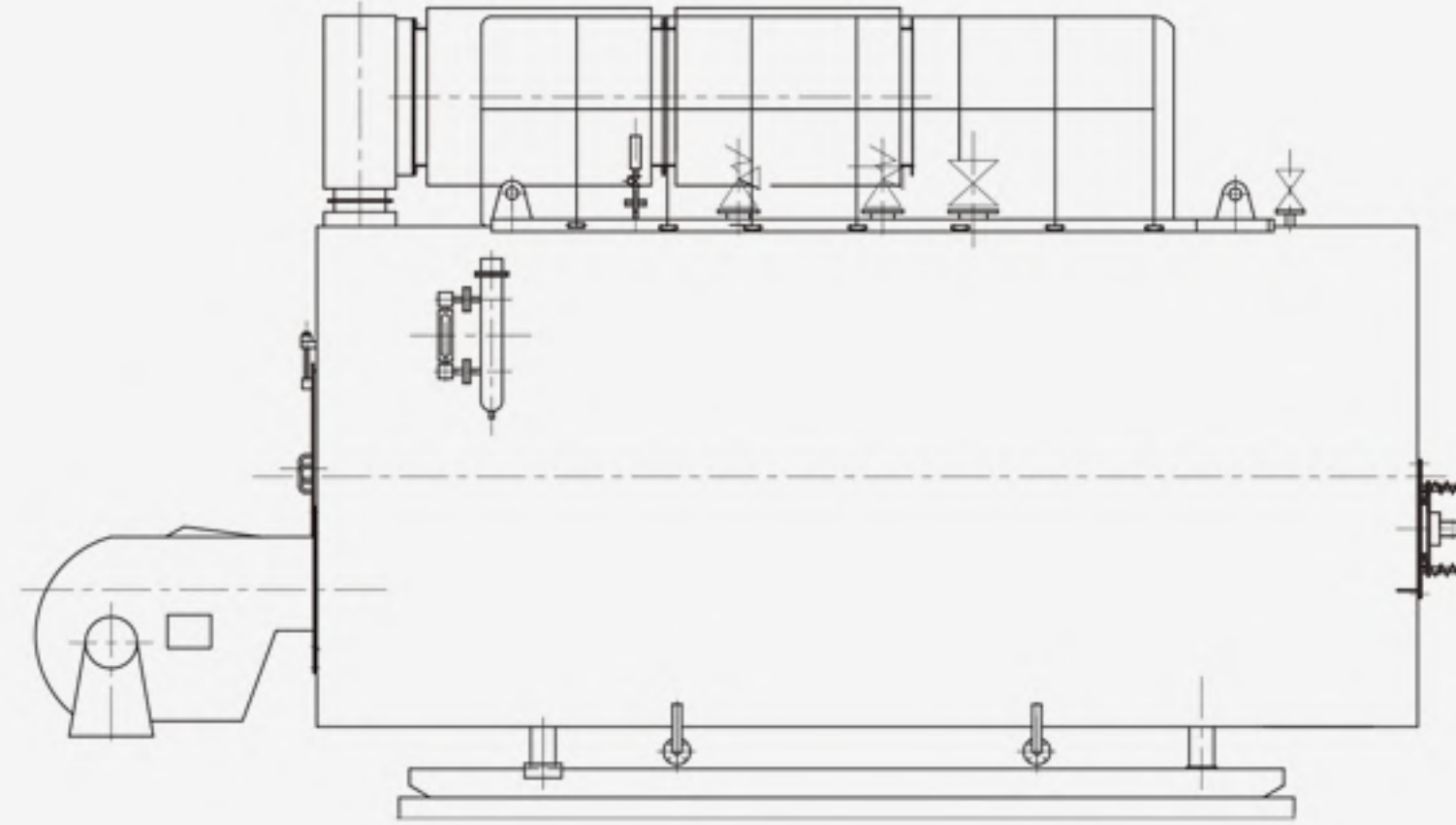
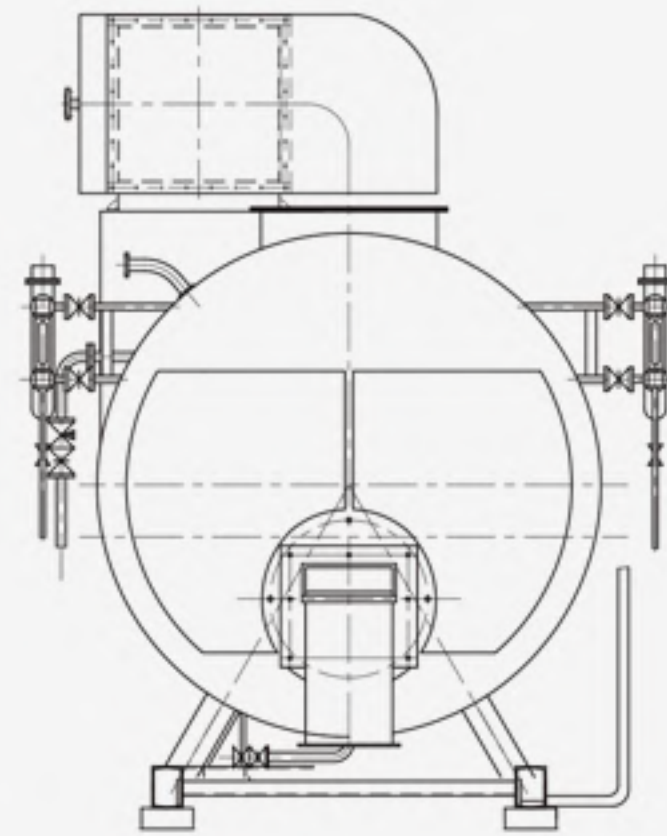
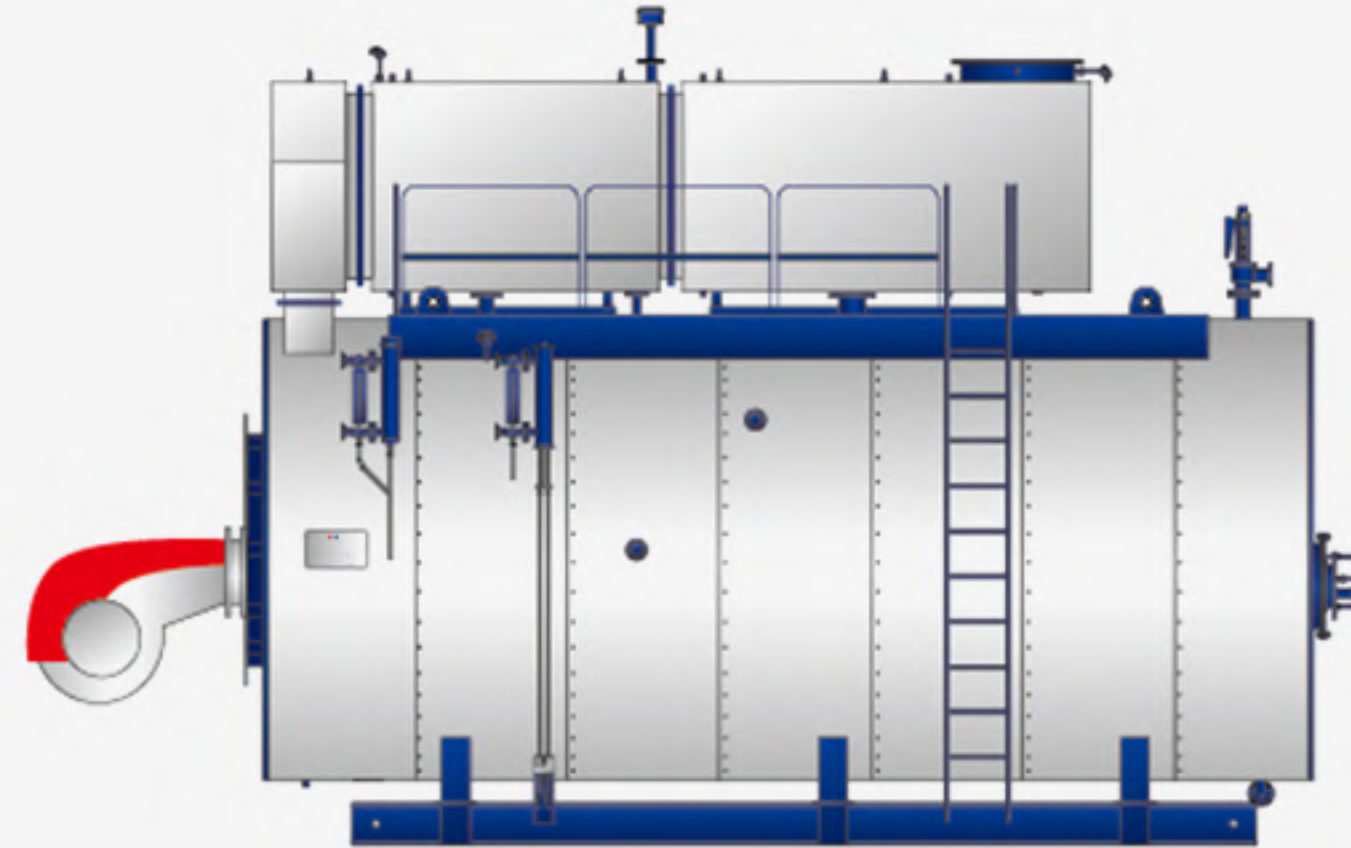
Specifications

Model	Rated evaporation	Corresponding calorific value	Combustion control mode	Fuel consumption				Electric power		Boiler max size			Valve pressure	Water inlet-DN	Steam outlet-DN	Drain outlet-DN	Chimney diameter	Weight	General purpose
				Diesel	Heavy oil	Natural gas	City gas	Oil	Gas	A	B	C							
Unit	t/h	10 ⁴ kcal/h		kg/h	kg/h	Nm ³ /h	Nm ³ /h	kw	kw	mm	mm	mm	mpa	mm	mm	mm	mm	t	
WNS1 1.0-YQ	1	64	Fully automatic two-piece fire	64.4	67	70.8	143.7	3.55	3.2	3830	1900	3010	1.6 (2.5)	40	50	40	300	5.6	Rated steam temperature (°C) 184、194、204
WNS2 1.0-YQ	2	128		128.9	134	141.5	287.4	8.9	8.5	4860	2670	3290		40	65	40	350	8.2	
WNS2 1.25-YQ	2	128	Full automatic ratio adjustment	128.9	134	141.5	287.4	8.9	8.5	5020	2560	3250		40	65	40	350	12.1	Rated thermal efficiency 97-100%
WNS3 1.25-YQ	3	192		193.3	200.9	212.3	431.2	14	13	5110	2790	3490		40	80	50	450	16	
WNS4 1.25-YQ	4	256		257.7	267.9	283	574.9	16	16	6110	2800	3640		40	100	50	450	11.3	Combustion method (Mpa) Micro-positive pressure chamber
WNS6 1.25-YQ	6	384		386.6	401.9	424.6	862.3	18	18	6950	2910	3830		40	125	50	550	16.7	
WNS8 1.25-YQ	8	512		515.4	535.8	566.1	1149.8	29	29	7530	3390	4350		40	125	50	550	21.9	Rated inlet temperature (°C) 20
WNS10 1.25-YQ	10	640		644.3	669.8	707.6	1437.2	34	34	8300	3260	4320		50	150	50	700	25.9	
WNS10 1.6-YQ	10	640		644.3	669.8	707.6	1437.2	34	34	8300	3260	4320		50	150	50	700	28.2	Rated steam pressure (Mpa) 1、1.25、1.6
WNS15 1.25-YQ	15	960		966.5	1004.7	1061.4	2155.9	69	61	8750	3500	4430		50	200	50	900	34.9	
WNS15 1.6-YQ	15	960	966.5	1004.7	1061.4	2155.9	69	61	8750	3500	4430	50	200	50	900	39.3	Using electric (V/Hz) 380/50		
WNS20 1.25-YQ	20	1280	1288.6	1339.6	1415.2	2874.5	79	67	9620	5180	5270	65	200	50	900	41.9			

*Remarks: The fuel consumption is the value after installing the condenser; the fuel calorific value: heavy oil 9860kcal/kg, diesel 10250kcal/kg, natural gas 9140kcal/Nm³, liquefied petroleum gas 24998kcal/Nm³, city gas 4500kcal/Nm³;

Due to continuous improvement of technology, please inform us if there are any changes; please contact Fangfeng Boiler Co., Ltd. headquarters for detailed parameters.

Boiler Planar View

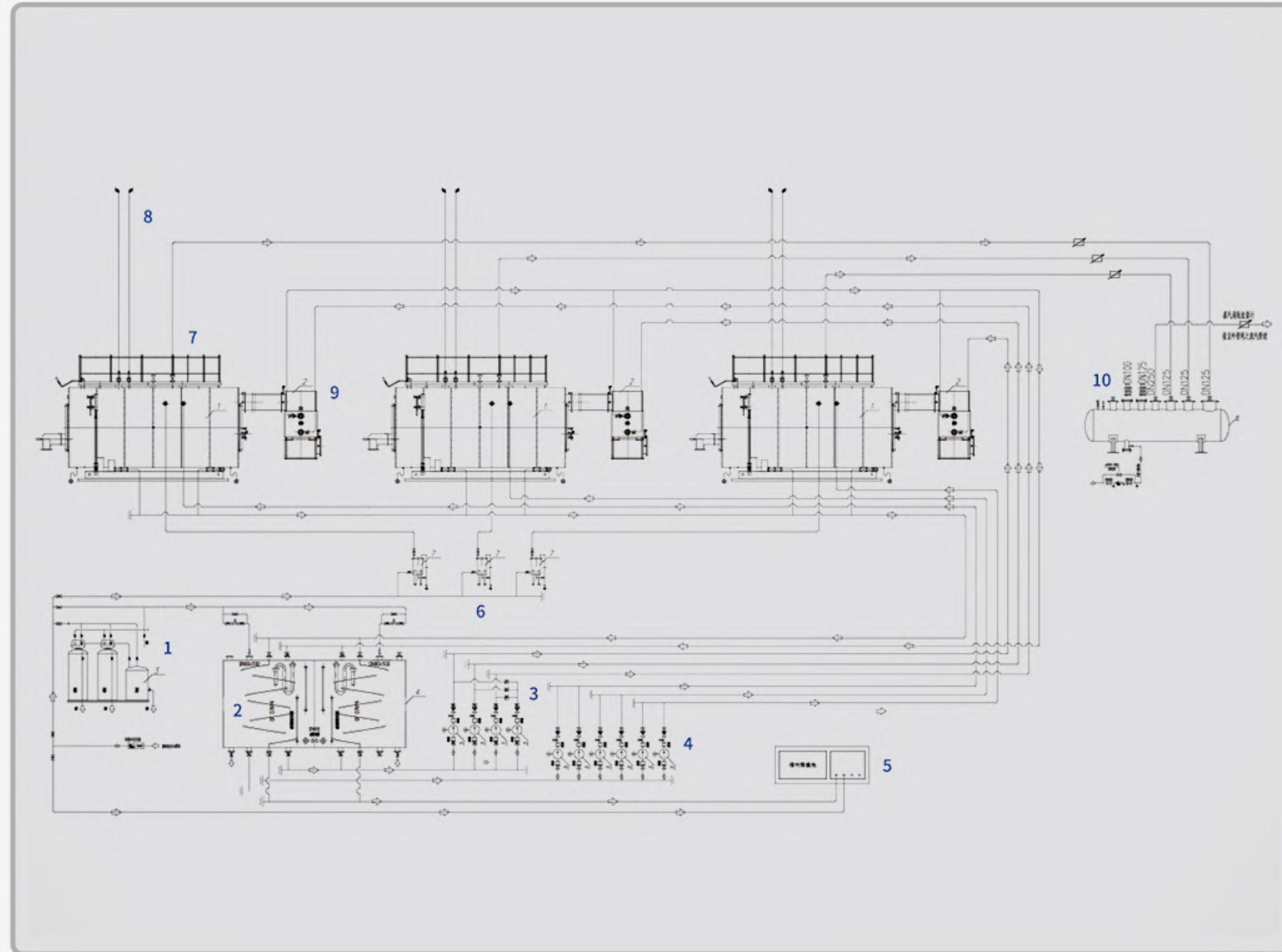


▲ Boiler Front View

▲ Boiler Lateral View

Boiler System View

1. Automatic Water Treatment
2. Stainless-steel Temperature Preservation Tank
3. Condensate Circulating Pump
4. Water Feed Pump
5. Blowdown Cooling Pool
6. Sample Cooler
7. Split Steam Boiler Body
8. Fangkuai Vertical Economizer
9. Steam Header



Related Cases



Food Industry



Real estate industry



Yili Dairy



Wahaha



Sanquan Food



Tsing Tao



Three Squirrels



Good shop



Wanda Group



Vanke



Evergrande



Poly Real Estate



Resources



Zhonghai Property

Service Philosophy

Our Service Philosophy: Think as a customer !

Fast Response

Telephone or Online service, we will be your side, any time.

Cloud Service 3.0

Intelligent online service, automatic diagnosis, troubleshoot boiler failure.

After-sell Service

Professional installation and maintenance engineers for international customers.



24 hr Online



Engineer online



Abroad engineer standby



Real-time Monitoring



400 Customer' s Call



Engineer 1 to 1





Tel: 0086-371-60922096

E-mail: info@boilermanufactory.com

Location: New&High-Tech Zone, Zhengzhou, Henan